

Standard Full Nut

Thread Type: UNC / BSW - Coarse

Thread Direction: Right Hand

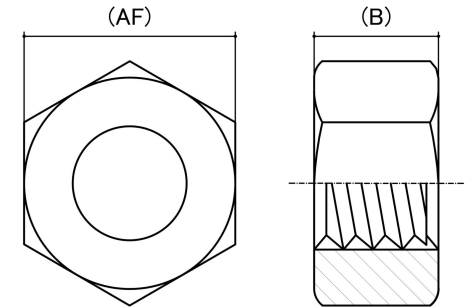
Material: Carbon Steel

Class Grade: High Tensile Grade 8

Finish: Zinc Plated

Corrosion Protection Level: Moderate

Standard: AS 2465



*CAD drawings shown for graphic representation only.**

Size	Thread Pitch (TPI)	Thread Type	Overall Nut Height (B) (mm)		Across Flats (AF) (mm)		Spanner Size (AF) (inches)	sku (qfind)
			Min	Max	Min	Max		
1/4"	20	Coarse	5.39	5.75	10.88	11.16	7/16	41C14
5/16"	18	Coarse	6.56	6.94	12.43	12.76	1/2	41C516
3/8"	16	Coarse	8.13	8.56	14.00	14.28	9/16	41C38
7/16"	14	Coarse	9.28	9.78	17.15	17.48	11/16	41C716
1/2"	13	Coarse	10.85	11.38	18.70	19.05	3/4	41C12
9/16"	12	Coarse	12.02	12.60	21.87	22.23	7/8	41C916
5/8"	11	Coarse	13.59	14.20	23.42	23.83	15/16	41C58
3/4"	10	Coarse	15.68	16.90	27.64	28.58	1-1/8	41C34
7/8"	9	Coarse	18.39	19.72	32.24	33.33	1-5/16	41C78
1"	8	Coarse	21.11	22.53	36.83	38.16	1-1/2	41C1
1-1/8"	7	Coarse	23.90	25.40	41.40	42.90	1-11/16	41C118
1-1/4"	7	Coarse	26.20	27.80	46.00	47.60	1-7/8	41C114
1-3/8"	6	Coarse	28.90	30.60	50.60	52.40	2-1/16	41C138
1-1/2"	6	Coarse	31.60	34.80	55.20	57.20	2-1/4	41C112
1-3/4"	5	Coarse	37.30	38.90	65.20	66.70	2-5/8	41C134

Disclaimer:

Dimensional data and technical information was obtained from publically available sources and not acquired through standard agencies. It has been completed and compiled for reference purposes only; where discrepancies are found they are subject to change without notice. Bolt & Nut Australia makes no warranties or representations regarding the accuracy and validity of the compiled information and data. Contact the relevant standard authorities for accurate and detailed information.

* CAD drawings may not reflect diameter, thread length or overall length.